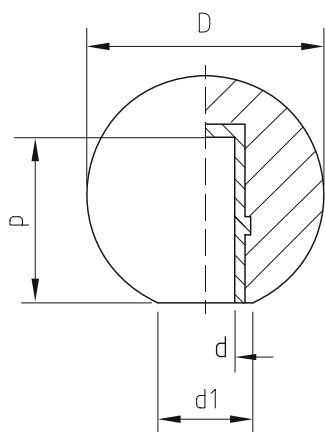


POMOLO A SFERA CON BOCCOLA NYLON

BALL KNOB, WITH NYLON BUSH



» **Duroplasto** di colore nero, finitura lucida, resistente a solventi, oli, grassi ed altri agenti chimici.

» **Boccola** in nylon per montaggio a pressione.

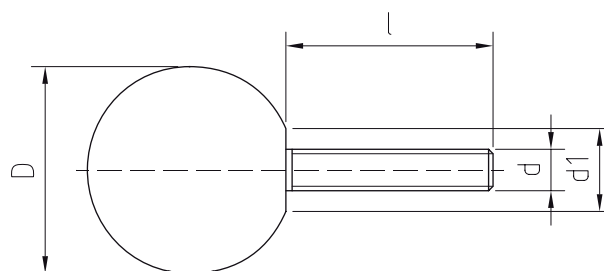
» Phenoplast, black colour, glossy finish, solvents-oils-greases and other chemical agents-proof.

» Press-fitting nylon bush.

Cod. Code	D	d	P	d1	Gr.
29020050	20	5	14	8	6
29020100	20	6	14	8	6
29020200	26	6	14	12	12
29020350	30	6	14	16	18
29020400	30	8	18	16	17
29020450	30	10	21	16	16
29020550	35	8	18	16	28
29020600	35	10	21	16	27
29020650	35	12	21	16	27
29020750	40	8	18	16	46
29020800	40	10	21	16	45
29020850	40	12	22	16	44
29020950	45	10	21	22	60
29021000	45	12	24	22	59
29021100	45	16	24	22	55
29021200	50	12	24	22	83
29021250	50	14	24	22	82
29021300	50	16	29	22	81

POMOLO A SFERA CON PERNO FERRO

BALL KNOB, WITH
THREADED STEEL STUD



» **Duroplasto** di colore nero, resistente a solventi, oli, grassi ed altri agenti chimici.

» **Perno** in AVP zincato filettato con estremità terminale smussata.

» PPhenoplast, black colour, solvents-oils-greases and other chemical agents-proof.

» Zinc-plated steel stud, threaded, chamfered end.

Cod. Code	D	d	l	d1	Gr.
29030000	20	04MA	20	8	9
29030050	26	06MA	20	12	18
29030100	30	06MA	20	16	28
29030150	35	08MA	20	16	39
29030200	40	08MA	20	16	56
29030250	40	10MA	20	16	50
29030300	45	12MA	30	22	100
29030350	50	12MA	30	22	124