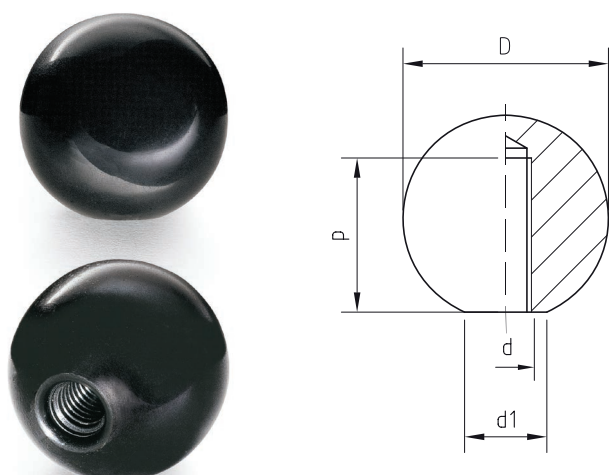


## POMOLO A SFERA CON FORO CIECO FILETTATO

BALL KNOB, WITH THREADED BLIND HOLE

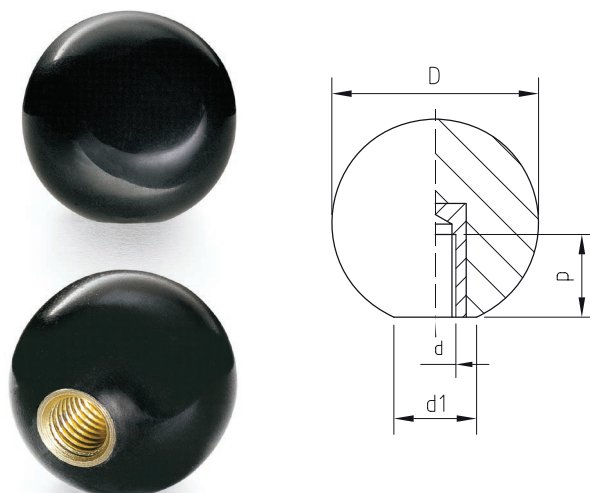


- » **Duroplasto** di colore nero, finitura lucida, resistente a solventi, oli, grassi ed altri agenti chimici.
- » **Foro** cieco filettato.
- » Phenoplast, black colour, glossy finish, solvents-oils-greases and other chemical agents-proof.
- » Threaded blind hole.

Cod. Code	D	d	P	d1	Gr.
29000050	20	05MA	15	8	6
29000100	20	06MA	15	8	5
29000150	26	05MA	15	12	13
29000200	26	06MA	18	12	12
29000250	26	08MA	20	12	11
29000300	30	05MA	15	16	18
29000350	30	06MA	18	16	18
29000400	30	08MA	20	16	17
29000450	30	10MA	20	16	16
29000500	35	06MA	18	16	30
29000550	35	08MA	24	16	28
29000600	35	10MA	30	16	27
29000650	35	12MA	30	16	25
29000700	40	06MA	18	16	46
29000750	40	08MA	24	16	45
29000800	40	10MA	30	16	43
29000850	40	12MA	30	16	42
29000950	45	10MA	30	22	59
29001000	45	12MA	30	22	59
29001050	45	14MA	30	22	59
29001100	45	16MA	30	22	58
29001150	50	10MA	38	22	85
29001200	50	12MA	38	22	83
29001250	50	14MA	38	22	81
29001300	50	16MA	38	22	80

## POMOLO A SFERA CON BOCCOLA OTTONE FILETTATA

BALL KNOB WITH THREADED BRASS INSERT



- » **Duroplasto** di colore nero, finitura lucida, resistente a solventi, oli, grassi ed altri agenti chimici.
- » **Boccola** in ottone con foro cieco filettato.
- » Phenoplast, black colour, glossy finish, solvents-oils-greases and other chemical agents-proof.
- » Brass insert, threaded blind hole.

Cod. Code	D	d	P	d1	Gr.
29010000	20	04MA	10	8	7
29010050	20	05MA	10	8	8
29010100	20	06MA	12	8	8
29010200	26	06MA	12	12	15
29010250	26	08MA	16	12	17
29010350	30	06MA	12	16	21
29010400	30	08MA	16	16	23
29010450	30	10MA	22	16	25
29010550	35	08MA	16	16	35
29010600	35	10MA	22	16	37
29010650	35	12MA	22	16	41
29010750	40	08MA	16	16	52
29010800	40	10MA	22	16	53
29010850	40	12MA	22	16	60
29010950	45	10MA	22	22	70
29011000	45	12MA	22	22	78
29011050	45	14MA	22	22	78
29011100	45	16MA	22	22	85
29011150	50	10MA	22	22	98
29011200	50	12MA	22	22	104
29011250	50	14MA	22	22	104
29011300	50	16MA	22	22	114